



TECHNICAL FEATURES/ ĐẶC TÍNH KỸ THUẬT

Model/ Dòng sản phẩm	MBH	MRT1P & MRT3P	RCT	MR	PR	MSP	MCT	PCT
Casing/ Vỏ	PC	ABS	ABS	PVC tap	PVC tap	ABS	epoxy	epoxy
Primary current/ Dòng sơ cấp	50A- 3.000A	50A- 800A	50A- 2.000A	50A- 6.300A	100A- 6300/5A	100A- 6300A	5A- 20.000A	5A- 20.000A
Secondary current/ Dòng thứ cấp	5A	5A	5A	1A, 5A	1A, 5A	5A	1A, 5A	1A, 5A
Burden/ Công suất	Up to/ Lên đến 15VA	Up to/ Lên đến 10VA	Up to/ Lên đến 15VA	Up to/ Lên đến 40VA	Up to/ Lên đến 40VA	Up to/ Lên đến 25VA	Up to/ Lên đến 40VA	Up to/ Lên đến 40VA
Class/ Cấp chính xác	0.5/ 5P10	1.0	1.0	1.0 3.0	5P10, 10P10, 5P20	1.0	0.5,1.0, 3.0	5P10, 10P10, 5P20
Operating temperature/ Nhiệt độ làm việc	up to/ lên đến 110°C	-10÷60°C						
Rated Dynamic current/ Dòng điện động	Idyn: 2.5In							
Rated short-time thermal current/ Khả năng chịu dòng ngắn hạn	Ith: 60In during 1sec/ liên tục trong 1 giây							
Standing over current/ Khả năng chịu quá dòng	1.2In							
Voltage insulating/ Điện áp cách điện	660V							
Testing voltage/ Điện áp thử	3KV at 50/60Hz during 1 min/ liên tục trong 1 phút							
Standard Approval/ Theo tiêu chuẩn	IEC60044-1, EN60044-1, VDE0414-44-1, BS7626, IEC 61869							

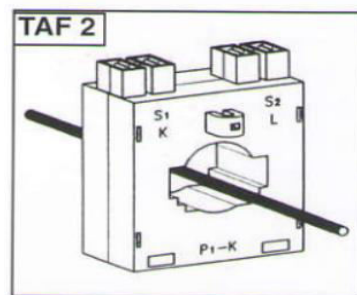
**Other technical specifications can be made on request/ Kích thước tham khảo. Có thể sản xuất theo thông số khách hàng yêu cầu*

APPLICATION NOTE/ LƯU Ý

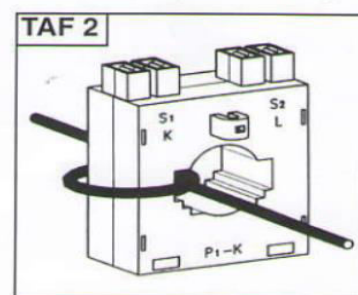
If the primary current is too small, to keep the same accuracy and burden, we can add primary winding to change the ratio of current transformer/

Nếu dòng điện sơ cấp là quá nhỏ, để đảm bảo độ chính xác và dung lượng, chúng ta có thể tăng số vòng dây sơ cấp để thay đổi tỉ số biến của biến dòng


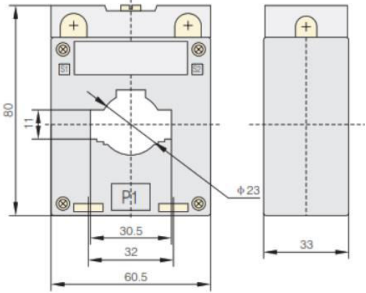

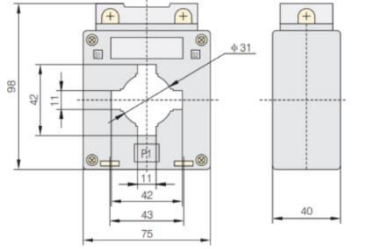

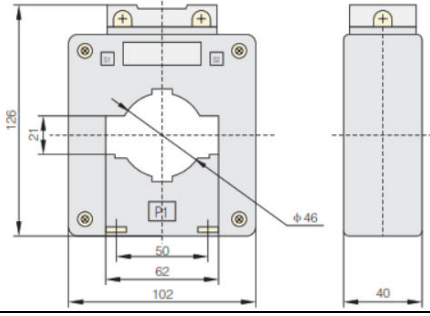

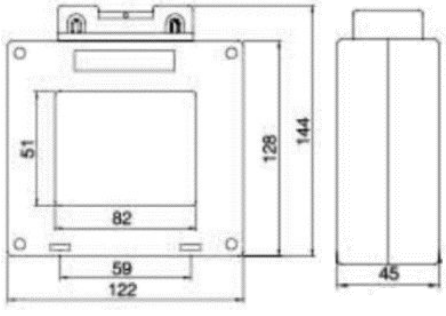

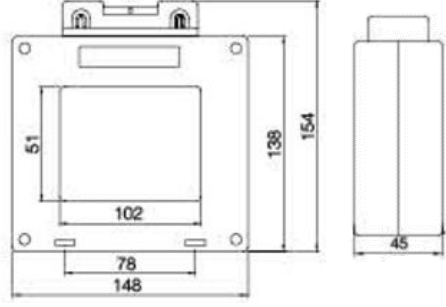
Example/ Ví dụ:




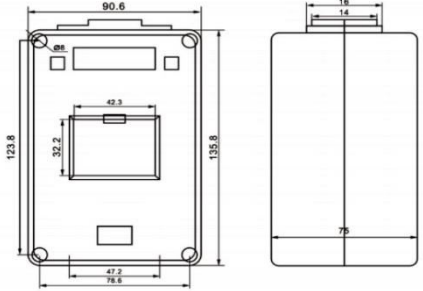

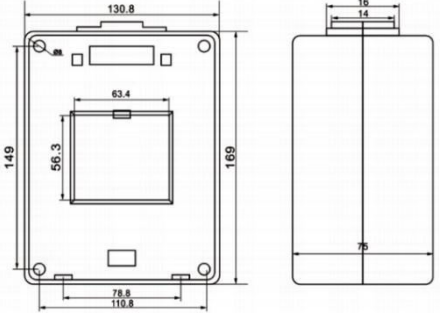

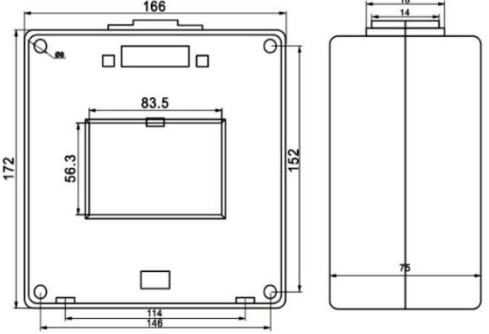

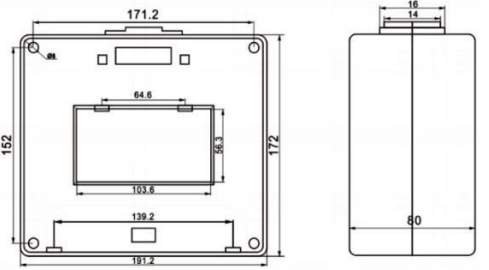
100/5A standard




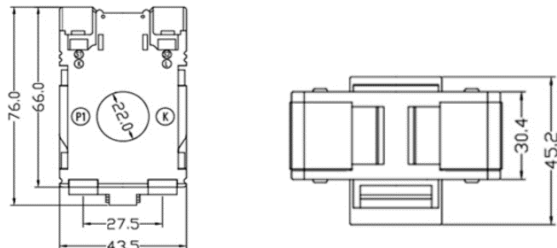

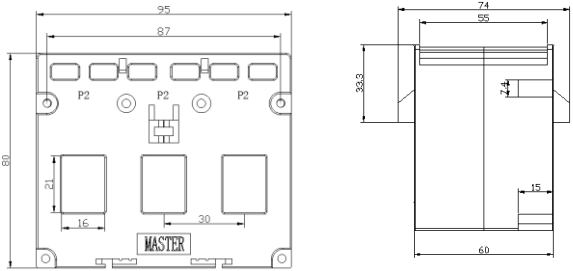

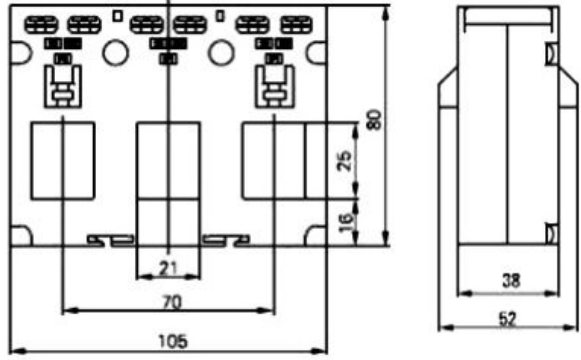

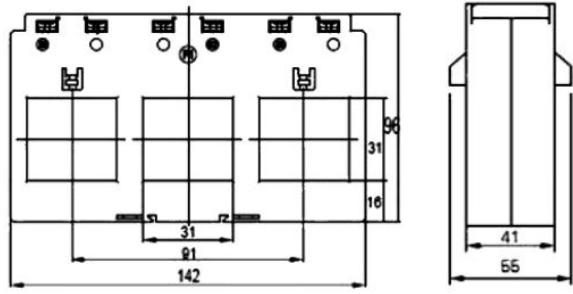

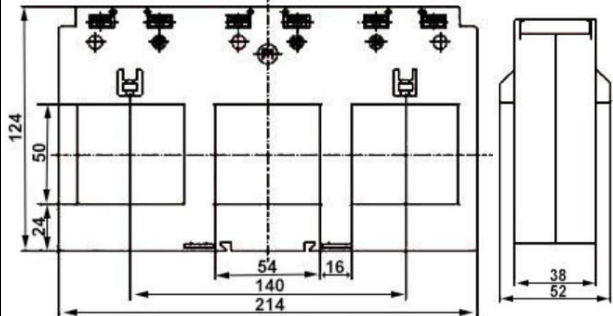
2 T Ratio = 50/5A

MEASURING CURRENT TRANSFORMER - MBH TYPE/ BIẾN DÒNG ĐO LƯỜNG (MCT) - LOẠI MBH				
Model/ Mã	Ratio/ Tỉ số (A)	Class/ Cấp chính xác	Burden (VA)/ Dung lượng	Drawing & Dimension/ Bản vẽ và kích thước
 MBH-30	50/5 (2T)	0.5	2.5	
	75/5 (2T)	0.5	2.5	
	100/5	0.5	2.5	
	150/5	0.5	3.75	
	200/5	0.5	5	
 MBH-40	250/5	0.5	5	
	300/5	0.5	5	
	400/5	0.5	5	
	500/5	0.5	5	
	600/5	0.5	5	
 MBH-60	800/5	0.5	10	
	1000/5	0.5	15	
	1200/5	0.5	15	
 MBH-80II (MBH-80B)	800/5	0.5	15	
	1000/5	0.5	15	
	1200/5	0.5	15	
	1600/5	0.5	15	
	2000/5	0.5	15	
 MBH-100	1600/5	0.5	15	
	2000/5	0.5	15	
	2500/5	0.5	15	
	3000/5	0.5	15	


**PROTECTION CURRENT TRANSFORMER - MBH TYPE/
BIẾN DÒNG BẢO VỆ (PCT) - LOẠI MBH**


Model/ Mã	Ratio/ Tỉ số (A)	Class/ Cấp chính xác	Burden (VA)/ Dung lượng	Drawing & Dimension/ Bản vẽ và kích thước
 MBH-40SPT	100/5A (2T)	5P10	2.5	
	150/5A	5P10	2.5	
	200/5A	5P10	2.5	
	250/5	5P10	2.5	
	300/5	5P10	2.5	
	400/5	5P10	3.75	
	500/5	5P10	5	
	600/5	5P10	5	
 MBH-60SPT	800/5	5P10	10	
	1000/5	5P10	10	
	1200/5	5P10	15	
 MBH-80SPT	800/5	5P10	10	
	1000/5	5P10	15	
	1200/5	5P10	15	
	1600/5	5P10	15	
	2000/5	5P10	15	
 MBH-100SPT	1600/5	5P10	15	
	2000/5	5P10	15	
	2500/5	5P10	15	
	3000/5	5P10	15	

❖ MRT1P & MRT3P Series

Model/ Mã	Ratio/ Tỷ số (A)	Class/ CCX	Burden/ Dung lượng (VA)	Drawing & Dimension/ Bản vẽ và kích thước
 MRT1P-20	50/5	3.0	1.5	
	75/5	1.0	1.5	
	100/5	1.0	2.5	
	150/5	1.0	2.5	
	200/5	1.0	2.5	
 MRT3P-90	50/5A	1.0	1.5	
	75/5A	1.0	1.5	
	100/5A	1.0	1.5	
	125/5A	1.0	2.5	
 MRT3P-105	50/5	1.0	1.5	
	75/5	1.0	1.5	
	100/5	1.0	1.5	
	150/5	1.0	2.5	
	200/5	1.0	2.5	
	250/5	1.0	2.5	
 MRT3P-140	300/5	1.0	3.75	
	400/5	1.0	3.75	
	500/5	1.0	3.75	
	600/5	1.0	3.75	
 MRT3P-214	500/5A	1.0	5	
	600/5A	1.0	5	
	800/5A	1.0	10	

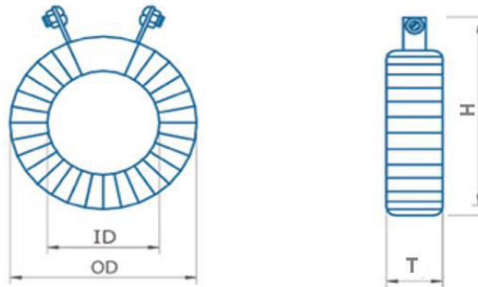
❖ MR series

Photo/ Hình ảnh	Model/ Mã	Ratio (A)/ Tỉ số	Class/ CCX	Burden(VA)/ Dung lượng	Dimension/ Kích thước (mm)			
					ID	OD	T	H
	MR-28	50/5	3.0	5	30	65	35	95
		75/5	3.0	5				
		100/5	1.0	5				
		150/5	1.0	5				
	MR-35	100/5	1.0	5	42	73	35	105
		150/5	1.0	5	42	73	30	105
		200/5	1.0	5				
		250/5	1.0	5				
		300/5	1.0	5				
		100/5	1.0	10	42	73	62	105
		150/5	1.0	10				
		200/5	1.0	10				
		250/5	1.0	10	42	73	52	105
		300/5	1.0	10				
		100/5	1.0	15	42	73	90	105
		150/5	1.0	15				
		200/5	1.0	15				
		250/5	1.0	15				
	MR-45	300/5	1.0	15	42	73	75	105
		400/5	1.0	10				
		500/5	1.0	10				
		600/5	1.0	10				
		400/5	1.0	10	42	73	30	105
		500/5	1.0	10				
		600/5	1.0	10				
		630/5	1.0	10				
	400/5	1.0	15	42	73	52	105	
	500/5	1.0	15					
	600/5	1.0	15					
	630/5	1.0	15					
	MR-65	400/5	1.0	10	62	100	30	145
		500/5	1.0	10				
600/5		1.0	10					
630/5		1.0	10					
400/5		1.0	15	62	100	32	145	
500/5		1.0	15					
600/5		1.0	15					
630/5		1.0	15					
MR-90	800/5	1.0	15	100	135	30	170	
	1000/5	1.0	15					
	1200/5	1.0	15					
	1250/5	1.0	15					
	1600/5	1.0	15	100	135	30	170	
	800/5	1.0	20					
	1000/5	1.0	20					
	1200/5	1.0	20					
	1250/5	1.0	20					
	1600/5	1.0	20					
MR-110	1600/5	1.0	15	125	160	30	190	
	2000/5	1.0	15					
	1600/5	1.0	20	125	160	30	190	
	2000/5	1.0	20					


Photo/ Hình ảnh	Model/ Mã	Ratio/ Tỉ số (A)	Class/ Cấp chính xác	Burden(VA)/ Dung lượng	Dimension/ Kích thước (mm)			
					ID	OD	T	H
	MR-125	2500/5	1.0	15	125	160	30	190
		3000/5	1.0	15				
		3200/5	1.0	15				
		4000/5	1.0	15				
		2500/5	1.0	20	125	160	30	190
		3000/5	1.0	20				
		3200/5	1.0	20				
		4000/5	1.0	20				
	MR-160	5000/5	1.0	15	160	220	36	255
		6000/5	1.0	15				
		6300/5	1.0	15				
		5000/5	1.0	20	160	220	36	255
		6000/5	1.0	20				
		6300/5	1.0	20				
	MR-200	5000/5	1.0	15	190	248	42	278
		6000/5	1.0	15				
		6300/5	1.0	15				
		5000/5	1.0	20	190	248	42	278
6000/5		1.0	20					
6300/5		1.0	20					


*Dimension for reference. Other technical specifications can be made on request/ Kích thước tham khảo. Có thể sản xuất theo thông số khách hàng yêu cầu

Drawing/ bản vẽ



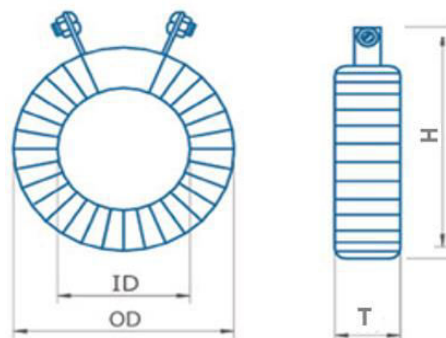
❖ PR series

Photo/ Hình ảnh		ỉ số (A)	áp	lượng	ích thước			
	PR-28	100/5	5P10	5	30	110	70	145
		150/5	5P10	5	30	90	70	125
		100/5	5P10	10	30	115	110	145
		150/5	5P10	10	30	95	110	125
		150/5	5P10	15	30	120	130	150
	PR-30	200/5	5P10	5	30	90	65	120
		250/5	5P10	5	30	90	65	120
		300/5	5P10	5	30	90	60	120
		200/5	5P10	10	30	110	70	140
		250/5	5P10	10	30	100	80	130
		300/5	5P10	10	30	100	70	130
		200/5	5P10	15	30	120	90	150
		250/5	5P10	15	30	110	90	140
		300/5	5P10	15	30	100	90	130
		PR-28	150/5	5P10	20	35	120	115
		200/5	5P10	20	35	110	115	140


Photo/ Hình ảnh	Model/ Mã	Ratio/ Tỷ số (A)	Class/ Cấp chính xác	Burden (VA)/ Dung lượng	Dimension (mm)/ Kích thước			
					ID	OD	T	H
	PR-30	250/5	5P10	20	40	115	85	145
		300/5	5P10	20	40	110	85	140
	PR-45	400/5	5P10	5	45	95	60	125
		400/5	5P10	10	45	100	70	130
		400/5	5P10	15	45	105	80	135
		400/5	5P10	20	45	110	85	140
	PR-55	500/5	5P10	5	55	100	60	130
		600/5	5P10	5	55	100	60	130
		630/5	5P10	5	55	100	60	130
		500/5	5P10	10	55	105	70	135
		600/5	5P10	10	55	105	70	135
		630/5	5P10	10	55	105	70	135
		500/5	5P10	15	55	115	70	145
		600/5	5P10	15	55	110	70	140
		630/5	5P10	15	55	110	70	140
		500/5	5P10	20	55	125	80	155
		600/5	5P10	20	55	120	80	150
		630/5	5P10	20	55	120	80	150
	PR-75	800/5	5P10	15	75	130	60	160
		1000/5	5P10	15	75	130	50	160
		1200/5	5P10	15	75	130	50	160
		1250/5	5P10	15	75	130	50	160
		800/5	5P10	20	75	130	75	160
		1000/5	5P10	20	75	130	75	160
		1200/5	5P10	20	75	130	65	160
	PR-90	1250/5	5P10	20	75	130	65	160
		1600/5	5P10	15	90	140	50	170
		1600/5	5P10	20	90	140	65	170
	PR-130	2000/5	5P10	15	130	185	40	215
		2500/5	5P10	15	130	185	45	215
		3000/5	5P10	15	130	185	45	215
		3200/5	5P10	15	130	185	45	215
		2000/5	5P10	20	130	185	50	215
		2500/5	5P10	20	130	185	50	215
	PR-130	3000/5	5P10	20	130	185	50	215
		3200/5	5P10	20	130	185	50	215
	PR-160	4000/5	5P10	15	160	215	40	245
		5000/5	5P10	15	160	215	40	245
		6000/5	5P10	15	160	215	40	245
		6300/5	5P10	15	160	215	40	245
4000/5		5P10	20	160	215	40	245	
5000/5		5P10	20	160	215	40	245	
6000/5		5P10	20	160	215	40	245	
6300/5	5P10	20	160	215	40	245		

**Dimension for reference. Other technical specifications can be made on request/ Kích thước tham khảo. Có thể sản xuất theo thông số khách hàng yêu cầu*

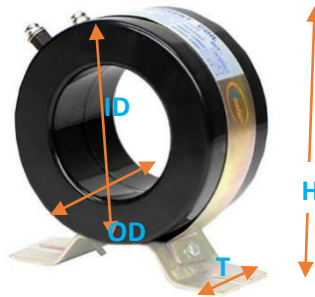
Drawing/ bản vẽ





❖ RCT series


Photo/ Hình ảnh	Model/ Mã	Ratio/ Tỉ số (A)	Class/ CCX	Burden/ Dung lượng (VA)	Dimension/ Kích thước (mm)			
					ID	OD	T	H
	RCT-35	50/5	1.0	5	34	77	52	102
		75/5	1.0	5				
		100/5	1.0	5				
		150/5	1.0	5				
		200/5	1.0	5				
		250/5	1.0	5				
	RCT-45	300/5	1.0	5	44	87	51	112
		400/5	1.0	10				
	RCT-65	500/5	1.0	10	65	110	54	135
		600/5	1.0	10				
	RCT-90	800/5	1.0	15	88	133	52	158
		1000/5	1.0	15				
		1200/5	1.0	15				
	RCT-110	1000/5	1.0	15	110	150	52	175
		1600/5	1.0	15				
2000/5		1.0	15					

Drawing/ bản vẽ




**MEASURING CURRENT TRANSFORMER (MCT) – ROUND TYPE/
BIẾN DÒNG ĐO LƯỜNG (MCT) - LOẠI TRÒN**


Photo/ Hình ảnh	Order code/ Mã đặt hàng	Ratio/ Tỷ số (A)	Class/ CCX	Burden/ Dung lượng (VA)	Dimension (mm)/ Kích thước			
					ID	OD	T	H
	MCT/20/1/5	20/5	1.0	5VA		110	105	165
	MCT/30/1/5	30/5	1.0	5VA		110	105	165
	MCT/40/1/5	40/5	1.0	5VA		110	105	165
	MCT/50/1/5	50/5	1.0	5VA		110	105	165
	MCT/60/1/5	60/5	1.0	5VA		110	105	165
	MCT/75/1/5	75/5	1.0	5VA		110	105	165
	MCT/20/1/10	20/5	1.0	10VA		110	115	175
	MCT/30/1/10	30/5	1.0	10VA		110	115	175
	MCT/40/1/10	40/5	1.0	10VA		110	115	175
	MCT/50/1/10	50/5	1.0	10VA		110	115	175
	MCT/60/1/10	60/5	1.0	10VA		110	115	175
	MCT/75/1/10	75/5	1.0	10VA		110	115	175
	MCT/20/1/15	20/5	1.0	15VA		110	125	185
	MCT/30/1/15	30/5	1.0	15VA		110	125	185
	MCT/40/1/15	40/5	1.0	15VA		110	125	185
	MCT/50/1/15	50/5	1.0	15VA		110	125	185
	MCT/60/1/15	60/5	1.0	15VA		110	125	185
	MCT/75/1/15	75/5	1.0	15VA		110	125	185
	MCT/50/3/5	50/5	3.0	5VA	25	100	80	120
	MCT/60/3/5	60/5	3.0	5VA	25	100	80	120
	MCT/75/3/5	75/5	3.0	5VA	25	100	70	120
	MCT/50/1/5(2T)	50/5(2T)	1.0	5VA	25	75	70	95
	MCT/60/1/5(2T)	60/5(2T)	1.0	5VA	25	75	70	95
	MCT/75/1/5(2T)	75/5(2T)	1.0	5VA	25	70	50	95
	MCT/100/1/5	100/5	1.0	5VA	25	75	70	95
	MCT/150/1/5	150/5	1.0	5VA	25	70	50	95
	MCT/200/1/5	200/5	1.0	5VA	30	80	40	95
	MCT/250/1/5	250/5	1.0	5VA	30	75	40	95
	MCT/300/1/5	300/5	1.0	5VA	30	75	40	95
	MCT/400/1/5	400/5	1.0	5VA	45	85	40	100
	MCT/500/1/5	500/5	1.0	5VA	55	95	40	110
	MCT/600/1/5	600/5	1.0	5VA	55	95	40	110
	MCT/630/1/5	630/5	1.0	5VA	55	95	40	110
	MCT/50/1/10(2T)	50/5(2T)	1.0	10VA	25	85	80	105
	MCT/60/1/10(2T)	60/5(2T)	1.0	10VA	25	85	80	105
	MCT/75/1/10(2T)	75/5(2T)	1.0	10VA	25	80	60	105
	MCT/100/1/10	100/5	1.0	10VA	25	85	80	105
	MCT/150/1/10	150/5	1.0	10VA	25	80	60	105
	MCT/200/1/10	200/5	1.0	10VA	30	80	50	95
	MCT/250/1/10	250/5	1.0	10VA	30	75	50	95
	MCT/300/1/10	300/5	1.0	10VA	30	80	50	95
	MCT/400/1/10	400/5	1.0	10VA	45	90	40	105
	MCT/500/1/10	500/5	1.0	10VA	55	100	40	115
	MCT/600/1/10	600/5	1.0	10VA	55	100	40	115
	MCT/630/1/10	630/5	1.0	10VA	55	100	40	115
	MCT/50/1/15(4T)	50/5(4T)	1.0	15VA	30	90	50	95
	MCT/60/1/15(4T)	60/5(4T)	1.0	15VA	30	90	50	95
	MCT/75/1/15(4T)	75/5(4T)	1.0	15VA	30	90	50	95
	MCT/100/1/15(2T)	100/5(2T)	1.0	15VA	30	90	50	95
	MCT/150/1/15(2T)	150/5(2T)	1.0	15VA	30	90	50	95


Photo/ Hình ảnh	Order code/ Mã đặt hàng	Ratio/ Tỷ số (A)	Class/ CCX	Burden/ Dung lượng (VA)	Dimension (mm)/ Kích thước			
					ID	OD	T	H
	MCT/200/1/15	200/5	1.0	15VA	30	90	50	95
	MCT/250/1/15	250/5	1.0	15VA	30	85	50	95
	MCT/300/1/15	300/5	1.0	15VA	30	90	50	95
	MCT/400/1/15	400/5	1.0	15VA	45	100	40	105
	MCT/500/1/15	500/5	1.0	15VA	55	105	40	115
	MCT/600/1/15	600/5	1.0	15VA	55	105	40	115
	MCT/630/1/15	630/5	1.0	15VA	55	105	40	115
	MCT/800/1/15	800/5	1.0	15VA	75	115	35	130
	MCT/1000/1/15	1000/5	1.0	15VA	75	115	35	130
	MCT/1200/1/15	1200/5	1.0	15VA	75	115	35	130
	MCT/1250/1/15	1250/5	1.0	15VA	75	115	35	130
	MCT/1600/1/15	1600/5	1.0	15VA	90	130	35	145
	MCT/2000/1/15	2000/5	1.0	15VA	130	170	35	185
	MCT/2500/1/15	2500/5	1.0	15VA	130	170	35	185
	MCT/3000/1/15	3000/5	1.0	15VA	130	170	35	185
	MCT/3200/1/15	3200/5	1.0	15VA	130	170	35	185
	MCT/4000/1/15	4000/5	1.0	15VA	160	210	35	225
	MCT/5000/1/15	5000/5	1.0	15VA	160	210	35	225
	MCT/6000/1/15	6000/5	1.0	15VA	160	210	35	225
	MCT/6300/1/15	6300/5	1.0	15VA	160	210	35	225

**MEASURING CURRENT TRANSFORMER (MCT) – SQUARE TYPE/
BIẾN DÒNG ĐO LƯỜNG (MCT) – LOẠI HÌNH CHỮ NHẬT**


	MCT/1000/1/15/S	1000/5	1.0	15VA	50x105	100x155	35	130
	MCT/1200/1/15/S	1200/5	1.0	15VA	50x105	100x155	35	130
	MCT/1250/1/15/S	1250/5	1.0	15VA	50x105	100x155	35	130
	MCT/1600/1/15/S	1600/5	1.0	15VA	50 x 105	100 x 155	35	130
	MCT/2000/1/15/S	2000/5	1.0	15VA	50 x 105	100 x 155	35	130
	MCT/2500/1/15/S	2500/5	1.0	15VA	50 x 105	100 x 155	35	130
	MCT/3000/1/15/S	3000/5	1.0	15VA	70 x 140	110 x 180	35	140
	MCT/3200/1/15/S	3200/5	1.0	15VA	70 x 140	110 x 180	35	140
	MCT/4000/1/15/S	4000/5	1.0	15VA	100 x 170	160 x 220	35	180
	MCT/5000/1/15/S	5000/5	1.0	15VA	100 x 170	160 x 220	35	180
	MCT/6000/1/15/S	6000/5	1.0	15VA	100 x 170	160 x 220	35	180
	MCT/6300/1/15/S	6300/5	1.0	15VA	100 x 170	160 x 220	35	180

**PROTECTION CURRENT TRANSFORMER (PCT) – ROUND TYPE/
BIẾN DÒNG BẢO VỆ (PCT) – LOẠI TRÒN**

	PCT/100/510/5	100/5	5P10	5VA	25	115	80	130
	PCT/150/510/5	150/5	5P10	5VA	25	95	80	110
	PCT/200/510/5	200/5	5P10	5VA	30	95	70	110
	PCT/250/510/5	250/5	5P10	5VA	30	90	70	110
	PCT/300/510/5	300/5	5P10	5VA	30	90	60	110
	PCT/400/510/5	400/5	5P10	5VA	45	95	60	115
	PCT/500/510/5	500/5	5P10	5VA	55	100	60	115
	PCT/600/510/5	600/5	5P10	5VA	55	100	60	115
	PCT/630/510/5	630/5	5P10	5VA	55	100	60	115
	PCT/100/510/10	100/5	5P10	10VA	25	120	110	135
	PCT/150/510/10	150/5	5P10	10VA	25	110	90	125
	PCT/200/510/10	200/5	5P10	10VA	30	110	70	125
	PCT/250/510/10	250/5	5P10	10VA	30	100	80	115
	PCT/300/510/10	300/5	5P10	10VA	30	100	70	115
	PCT/400/510/5	400/5	5P10	10VA	45	100	70	115
	PCT/500/510/5	500/5	5P10	10VA	55	105	70	120

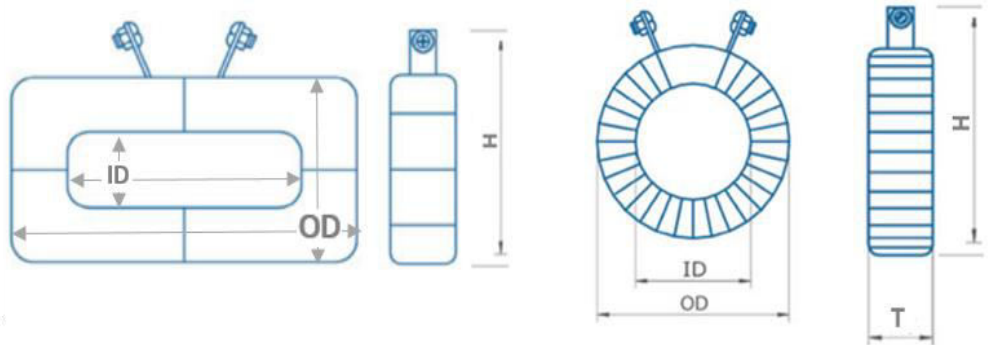
Photo/ Hình ảnh	Order code/ Mã đặt hàng	Ratio/ Tỉ số (A)	Class/ CCX	Burden/ Dung lượng (VA)	Dimension (mm)/ Kích thước			
					ID	OD	T	H
	PCT/600/510/5	600/5	5P10	10VA	55	105	70	120
	PCT/630/510/5	630/5	5P10	10VA	55	105	70	120
	PCT/150/510/10	150/5	5P10	15VA	25	120	110	135
	PCT/200/510/10	200/5	5P10	15VA	30	120	90	135
	PCT/250/510/10	250/5	5P10	15VA	30	110	90	125
	PCT/300/510/10	300/5	5P10	15VA	30	100	90	115
	PCT/400/510/15	400/5	5P10	15VA	45	105	80	120
	PCT/500/510/15	500/5	5P10	15VA	55	115	70	130
	PCT/600/510/15	600/5	5P10	15VA	55	110	70	125
	PCT/630/510/15	630/5	5P10	15VA	55	110	70	125
	PCT/800/510/15	800/5	5P10	15VA	75	130	60	145
	PCT/1000/510/15	1000/5	5P10	15VA	75	130	60	145
	PCT/1200/510/15	1200/5	5P10	15VA	75	130	50	145
	PCT/1250/510/15	1250/5	5P10	15VA	75	130	50	145
	PCT/1600/510/15	1600/5	5P10	15VA	90	140	50	155
	PCT/2000/510/15	2000/5	5P10	15VA	130	185	40	200
	PCT/2500/510/15	2500/5	5P10	15VA	130	185	40	200
	PCT/3000/510/15	3000/5	5P10	15VA	130	185	40	200
	PCT/3200/510/15	3200/5	5P10	15VA	130	185	40	200
	PCT/4000/510/15	4000/5	5P10	15VA	160	215	40	230
	PCT/5000/510/15	5000/5	5P10	15VA	160	215	40	230
	PCT/6000/510/15	6000/5	5P10	15VA	160	215	40	230
	PCT/6300/510/15	6300/5	5P10	15VA	160	215	40	230

**PROTECTION CURRENT TRANSFORMER (PCT) – SQUARE TYPE/
BIẾN DÒNG BẢO VỆ (PCT) – LOẠI VUÔNG**



	PCT/1600/510/15/S	1600/5	5P10	15VA	50 x 105	100 x 155	50	130
	PCT/2000/510/15/S	2000/5	5P10	15VA	50 x 105	100 x 155	50	130
	PCT/2500/510/15/S	2500/5	5P10	15VA	50 x 105	100 x 155	50	130
	PCT/3000/510/15/S	3000/5	5P10	15VA	70 x 140	110 x 180	40	140
	PCT/3200/510/15/S	3200/5	5P10	15VA	70 x 140	110 x 180	40	140
	PCT/4000/510/15/S	4000/5	5P10	15VA	100 x 170	160 x 220	40	180
	PCT/5000/510/15/S	5000/5	5P10	15VA	100 x 170	160 x 220	40	180
	PCT/6000/510/15/S	6000/5	5P10	15VA	100 x 170	160 x 220	40	180
	PCT/6300/510/15/S	6300/5	5P10	15VA	100 x 170	160 x 220	40	180


**Dimension for reference. Other technical specifications can be made on request/ Kích thước tham khảo. Có thể sản xuất theo thông số khách hàng yêu cầu*


Drawing/ bản vẽ




**MEASURING CURRENT TRANSFORMER (MCT) – ROUND TYPE/
 BIẾN DÒNG ĐO LƯỜNG (MCT) - LOẠI TRÒN**

Photo/ Hình ảnh	Order code/ Mã đặt hàng	Ratio/ Tỉ số (A)	Class/ Cấp chính xác	Burden/ Dung lượng (VA)	Dimension (mm)/ Kích thước			
					ID	OD	T	H
	MCT/1/5/50	50/5	1.0	5		80	55	120
	MCT/1/5/60	60/5	1.0	5		80	55	120
	MCT/1/5/75	75/5	1.0	5		80	55	120
	MCT/0.5/15/50	50/5	0.5	15		95	65	135
	MCT/0.5/15/60	60/5	0.5	15		95	65	135
	MCT/0.5/15/75	75/5	0.5	15		95	65	135
	MCT/0.5/15/100	100/5	0.5	15		95	65	135
	MCT/0.5/15/150	150/5	0.5	15		95	65	135
	MCT/3/5/50	50/5	3.0	5	20	100	90	140
	MCT/3/5/60	60/5	3.0	5	20	100	90	140
	MCT/3/5/75	75/5	3.0	5	20	100	70	140
	MCT/1/5/50(2T)	50/5 (2T)	1.0	5	25	100	65	140
	MCT/1/5/60(2T)	60/5 (2T)	1.0	5	25	100	65	140
	MCT/1/5/75(2T)	75/5 (2T)	1.0	5	30	100	65	140
	MCT/1/5/100	100/5	1.0	5	25	100	65	140
	MCT/1/5/150	150/5	1.0	5	30	100	65	140
	MCT/1/5/200	200/5	1.0	5	40	100	65	140
	MCT/1/5/250	250/5	1.0	5	40	100	60	140
	MCT/1/5/300	300/5	1.0	5	40	100	55	140
	MCT/1/5/400	400/5	1.0	5	55	115	50	155
	MCT/1/5/500	500/5	1.0	5	55	115	45	155
	MCT/1/5/600	600/5	1.0	5	60	115	45	155
	MCT/1/5/630	630/5	1.0	5	60	115	45	155
	MCT/1/10/50(4T)	50/5 (4T)	1.0	10	40	105	65	150
	MCT/1/10/60(4T)	60/5 (4T)	1.0	10	40	105	65	150
	MCT/1/10/75(4T)	75/5 (4T)	1.0	10	40	100	55	150
	MCT/1/10/100	100/5	1.0	10	25	110	70	150
	MCT/1/10/150	150/5	1.0	10	30	110	65	150
	MCT/1/10/200	200/5	1.0	10	40	105	65	150
	MCT/1/10/250	250/5	1.0	10	40	100	65	150
	MCT/1/10/300	300/5	1.0	10	40	100	55	150
	MCT/1/10/400	400/5	1.0	10	55	115	55	155
	MCT/1/10/500	500/5	1.0	10	55	115	55	155
	MCT/1/10/600	600/5	1.0	10	60	115	55	155
	MCT/1/10/630	630/5	1.0	10	60	115	55	155
	MCT/1/15/50(4T)	50/5 (4T)	1.0	15	40	105	65	150
	MCT/1/15/60(4T)	60/5 (4T)	1.0	15	40	105	65	150
	MCT/1/15/75(4T)	75/5 (4T)	1.0	15	40	100	65	150
	MCT/1/15/100(2T)	100/5 (2T)	1.0	15	40	105	65	150
	MCT/1/15/150	150/5	1.0	15	30	110	70	150
	MCT/1/15/200	200/5	1.0	15	40	105	65	150
	MCT/1/15/250	250/5	1.0	15	40	105	65	150
	MCT/1/15/300	300/5	1.0	15	40	100	65	150
	MCT/1/15/400	400/5	1.0	15	55	115	65	155
	MCT/1/15/500	500/5	1.0	15	55	115	65	155
	MCT/1/15/600	600/5	1.0	15	60	115	55	155
	MCT/1/15/630	630/5	1.0	15	60	115	55	155
	MCT/1/15/800	800/5	1.0	15	85	150	40	185
MCT/1/15/1000	1000/5	1.0	15	85	150	40	185	
MCT/1/15/1200	1200/5	1.0	15	85	150	40	185	


Photo/ Hình ảnh	Order code/ Mã đặt hàng	Ratio/ Tỉ số (A)	Class/ Cấp chính xác	Burden/ Dung lượng (VA)	Dimension (mm)/ Kích thước			
					ID	OD	T	H
	MCT/1/15/1250	1250/5	1.0	15	85	150	40	185
	MCT/1/15/1600	1600/5	1.0	15	85	150	40	185
	MCT/1/15/2000	2000/5	1.0	15	125	180	40	235
	MCT/1/15/2500	2500/5	1.0	15	125	180	40	235
	MCT/1/15/3000	3000/5	1.0	15	125	180	40	240
	MCT/1/15/3200	3200/5	1.0	15	125	180	40	240
	MCT/1/15/4000	4000/5	1.0	15	150	210	40	250
	MCT/1/15/5000	5000/5	1.0	15	160	230	42	280
	MCT/1/15/6000	6000/5	1.0	15	160	230	42	280
	MCT/1/15/6300	6300/5	1.0	15	160	230	42	280
	MCT/0.5/5/50(4T)	50/5 (4T)	0.5	5	40	110	65	150
	MCT/0.5/5/60(4T)	60/5 (4T)	0.5	5	40	110	65	150
	MCT/0.5/5/75(4T)	75/5 (4T)	0.5	5	40	110	65	150
	MCT/0.5/5/100	100/5	0.5	5	25	110	65	150
	MCT/0.5/5/150	150/5	0.5	5	30	110	65	150
	MCT/0.5/5/200	200/5	0.5	5	40	110	65	150
	MCT/0.5/5/250	250/5	0.5	5	40	110	65	150
	MCT/0.5/5/300	300/5	0.5	5	40	110	55	150
	MCT/0.5/5/400	400/5	0.5	5	55	115	50	155
	MCT/0.5/5/500	500/5	0.5	5	55	115	50	155
	MCT/0.5/5/600	600/5	0.5	5	60	115	50	155
	MCT/0.5/5/630	630/5	0.5	5	60	115	50	155
	MCT/0.5/5/50(4T)	50/5 (4T)	0.5	10	40	110	70	150
	MCT/0.5/5/60(4T)	60/5 (4T)	0.5	10	40	110	70	150
	MCT/0.5/5/75(4T)	75/5 (4T)	0.5	10	40	110	70	150
	MCT/0.5/5/100(2T)	100/5	0.5	10	40	110	70	150
	MCT/0.5/5/150	150/5	0.5	10	30	110	70	150
	MCT/0.5/5/200	200/5	0.5	10	40	110	70	150
	MCT/0.5/5/250	250/5	0.5	10	40	110	70	150
	MCT/0.5/5/300	300/5	0.5	10	40	110	60	150
	MCT/0.5/5/400	400/5	0.5	10	55	115	55	155
	MCT/0.5/5/500	500/5	0.5	10	55	115	55	155
	MCT/0.5/5/600	600/5	0.5	10	60	115	50	155
	MCT/0.5/5/630	630/5	0.5	10	60	115	50	155
	MCT/0.5/5/50(4T)	50/5 (4T)	0.5	15	40	110	75	150
	MCT/0.5/5/60(4T)	60/5 (4T)	0.5	15	40	110	75	150
	MCT/0.5/5/75(4T)	75/5 (4T)	0.5	15	40	110	65	150
	MCT/0.5/5/100(2T)	100/5 (2T)	0.5	15	40	110	75	150
	MCT/0.5/5/150	150/5 (2T)	0.5	15	40	110	65	150
	MCT/0.5/5/200	200/5	0.5	15	40	110	75	150
	MCT/0.5/5/250	250/5	0.5	15	40	110	75	150
	MCT/0.5/5/300	300/5	0.5	15	40	110	65	150
	MCT/0.5/5/400	400/5	0.5	15	55	115	60	155
	MCT/0.5/5/500	500/5	0.5	15	55	115	60	155
	MCT/0.5/5/600	600/5	0.5	15	60	115	55	155
MCT/0.5/5/630	630/5	0.5	15	60	115	55	155	
MCT/0.5/15/800	800/5	0.5	15	85	135	50	175	
MCT/0.5/15/1000	1000/5	0.5	15	85	135	50	175	
MCT/0.5/15/1200	1200/5	0.5	15	85	145	50	185	
MCT/0.5/15/1250	1250/5	0.5	15	85	145	50	185	
MCT/0.5/15/1600	1600/5	0.5	15	85	150	45	195	
MCT/0.5/15/2000	2000/5	0.5	15	125	195	45	235	
MCT/0.5/15/2500	2500/5	0.5	15	125	195	45	235	

Photo/ Hình ảnh	Order code/ Mã đặt hàng	Ratio/ Tỉ số (A)	Class/ Cấp chính xác	Burden/ Dung lượng (VA)	Dimension (mm)/ Kích thước			
					ID	OD	T	H
	MCT/0.5/15/3000	3000/5	0.5	15	125	200	45	240
	MCT/0.5/15/3200	3200/5	0.5	15	125	200	45	240
	MCT/0.5/15/4000	4000/5	0.5	15	150	210	40	250
	MCT/0.5/15/5000	5000/5	0.5	15	160	230	42	280
	MCT/0.5/15/6000	6000/5	0.5	15	160	230	42	280
	MCT/0.5/15/6300	6300/5	0.5	15	160	230	42	280

**MEASURING CURRENT TRANSFORMER (MCT) – SQUARE TYPE/
BIẾN DÒNG ĐO LƯỜNG (MCT) – LOẠI HÌNH CHỮ NHẬT**


	MCT/1/15/800/S	800/5	1.0	15	50x85	110x145	45	170
	MCT/1/15/1000/S	1000/5	1.0	15	50x85	110x145	45	170
	MCT/1/15/1200/S	1200/5	1.0	15	50x85	110x145	45	170
	MCT/1/15/1250/S	1250/5	1.0	15	50x85	110x145	45	170
	MCT/1/15/1600/S	1600/5	1.0	15	50x85	110x145	42	170
	MCT/1/15/2000/S	2000/5	1.0	15	50x85	110x145	42	170
	MCT/1/15/2500/S	2500/5	1.0	15	80x125	140x180	42	205
	MCT/1/15/3000/S	3000/5	1.0	15	80x125	140x180	42	205
	MCT/1/15/3200/S	3200/5	1.0	15	80x125	140x180	42	205
	MCT/1/15/4000/S	4000/5	1.0	15	80x155	145x215	42	240
	MCT/1/15/5000/S	5000/5	1.0	15	80x155	150x216	43	265
	MCT/1/15/6000/S	6000/5	1.0	15	80x155	160x216	43	265
	MCT/1/15/6300/S	6300/5	1.0	15	80x155	160x220	43	265
	MCT/0.5/15/800/S	800/5	0.5	15	50x85	110x145	55	170
	MCT/0.5/15/1000/S	1000/5	0.5	15	50x85	110x145	45	170
	MCT/0.5/15/1200/S	1200/5	0.5	15	50x85	110x145	45	170
	MCT/0.5/15/1250/S	1250/5	0.5	15	50x85	110x145	45	170
	MCT/0.5/15/1600/S	1600/5	0.5	15	50x85	110x145	42	170
	MCT/0.5/15/2000/S	2000/5	0.5	15	50x85	110x145	42	170
	MCT/0.5/15/2500/S	2500/5	0.5	15	80x125	140x180	42	205
	MCT/0.5/15/3000/S	3000/5	0.5	15	80x125	140x180	42	205
	MCT/0.5/15/3200/S	3200/5	0.5	15	80x125	140x180	42	205
	MCT/0.5/15/4000/S	4000/5	0.5	15	80x155	145x215	42	240
	MCT/0.5/15/5000/S	5000/5	0.5	15	80x155	150x216	43	265
	MCT/0.5/15/6000/S	6000/5	0.5	15	80x155	160x216	43	265
	MCT/0.5/15/6300/S	6300/5	0.5	15	80x155	160x220	43	265

**PROTECTION CURRENT TRANSFORMER (PCT) – ROUND TYPE
BIẾN DÒNG BẢO VỆ (PCT) – LOẠI TRÒN**

	PCT/510/5/100	100/5	5P10	5	40	110	110	145
	PCT/510/5/150	150/5	5P10	5	40	110	110	145
	PCT/510/5/200	200/5	5P10	5	40	110	80	145
	PCT/510/5/250	250/5	5P10	5	40	115	65	155
	PCT/510/5/300	300/5	5P10	5	40	115	55	155
	PCT/510/5/400	400/5	5P10	5	55	130	50	165
	PCT/510/5/500	500/5	5P10	5	55	115	55	155
	PCT/510/5/600	600/5	5P10	5	60	115	45	155
	PCT/510/5/630	630/5	5P10	5	60	115	45	155
	PCT/510/10/100	100/5	5P10	10	40	110	145	145
	PCT/510/10/150	150/5	5P10	10	40	110	145	145
	PCT/510/10/200	200/5	5P10	10	40	110	110	145
	PCT/510/10/250	250/5	5P10	10	40	110	110	145
	PCT/510/10/300	300/5	5P10	10	40	110	100	145
	PCT/510/10/400	400/5	5P10	10	55	125	90	160
	PCT/510/10/500	500/5	5P10	10	55	125	80	160
	PCT/510/10/600	600/5	5P10	10	60	125	70	160

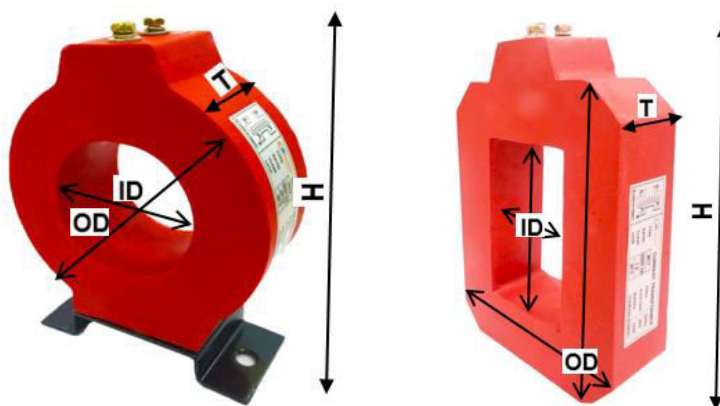
Photo/ Hình ảnh	Order code/ Mã đặt hàng	Ratio/ Tỉ số (A)	Class/ Cấp chính xác	Burden (VA)/ Dung lượng	Dimension (mm)/ Kích thước			
					ID	OD	T	H
	PCT/510/10/630	630/5	5P10	10	60	125	70	160
	PCT/510/15/150	150/5	5P10	15	40	110	145	145
	PCT/510/15/200	200/5	5P10	15	40	110	110	145
	PCT/510/15/250	250/5	5P10	15	40	110	110	145
	PCT/510/15/300	300/5	5P10	15	40	110	100	145
	PCT/510/15/400	400/5	5P10	15	55	125	90	160
	PCT/510/15/500	500/5	5P10	15	55	125	80	160
	PCT/510/15/600	600/5	5P10	15	60	125	70	160
	PCT/510/15/630	600/5	5P10	15	60	125	70	160
	PCT/510/20/150	150/5	5P10	20	40	120	200	155
	PCT/510/20/200	200/5	5P10	20	40	120	170	155
	PCT/510/20/250	250/5	5P10	20	40	120	155	155
	PCT/510/20/300	300/5	5P10	20	40	120	135	155
	PCT/510/20/400	400/5	5P10	20	55	135	130	170
	PCT/510/20/500	500/5	5P10	20	55	135	120	170
	PCT/510/20/600	600/5	5P10	20	60	135	105	170
	PCT/510/20/630	600/5	5P10	20	60	135	105	170
	PCT/510/15/800	800/5	5P10	15	85	155	70	195
	PCT/510/15/1000	1000/5	5P10	15	85	155	70	195
	PCT/510/15/1200	1200/5	5P10	15	85	155	70	195
	PCT/510/15/1250	1250/5	5P10	15	85	155	70	195
	PCT/510/15/1600	1600/5	5P10	15	85	150	60	190
	PCT/510/15/2000	2000/5	5P10	15	125	190	50	240
	PCT/510/15/2500	2500/5	5P10	15	125	190	50	240
	PCT/510/15/3000	3000/5	5P10	15	125	190	50	240
	PCT/510/15/3200	3200/5	5P10	15	125	190	50	240
	PCT/510/15/4000	4000/5	5P10	15	150	215	50	255
	PCT/510/15/5000	5000/5	5P10	15	160	235	50	280
	PCT/510/15/6000	6000/5	5P10	15	160	235	50	280
	PCT/510/15/6300	6300/5	5P10	15	160	235	50	280
	PCT/510/20/800	800/5	5P10	20	85	165	80	185
	PCT/510/20/1000	1000/5	5P10	20	85	165	80	185
	PCT/510/20/1200	1200/5	5P10	20	85	165	80	185
	PCT/510/20/1250	1250/5	5P10	20	85	165	80	185
	PCT/510/20/1600	1600/5	5P10	20	85	160	70	185
	PCT/510/20/2000	2000/5	5P10	20	125	200	60	245
	PCT/510/20/2500	2500/5	5P10	20	125	200	60	240
	PCT/510/20/3000	3000/5	5P10	20	125	205	60	245
	PCT/510/20/3200	3200/5	5P10	20	125	205	60	245
	PCT/510/20/4000	4000/5	5P10	20	125	220	60	250
PCT/510/20/5000	5000/5	5P10	20	160	240	60	270	
PCT/510/20/6000	6000/5	5P10	20	160	240	60	280	
PCT/510/20/6300	6300/5	5P10	20	160	240	60	280	

PROTECTION CURRENT TRANSFORMER (PCT) – SQUARE TYPE
BIẾN DÒNG BẢO VỆ (PCT) – LOẠI HÌNH CHỮ NHẬT

Photo/ Hình ảnh	Order code/ Mã đặt hàng	Ratio/ Tỉ số (A)	Class/ Cấp chính xác	Burden (VA)/ Dung lượng	Dimension (mm)/ Kích thước			
					ID	OD	T	H
	PCT/510/15/800/S	800/5	5P10	15	50x85	120x150	80	170
	PCT/510/15/1000/S	1000/5	5P10	15	50x85	120x155	70	175
	PCT/510/15/1200/S	1200/5	5P10	15	50x85	120x155	70	175
	PCT/510/15/1250/S	1250/5	5P10	15	50x85	120x155	70	175
	PCT/510/15/1600/S	1600/5	5P10	15	50x85	120x155	65	175
	PCT/510/15/2000/S	2000/5	5P10	15	50x85	125x160	60	180
	PCT/510/15/2500/S	2500/5	5P10	15	80x125	150x195	55	215
	PCT/510/15/3000/S	3000/5	5P10	15	80x125	150x195	55	215
	PCT/510/15/3200/S	3200/5	5P10	15	80x125	150x195	55	215
	PCT/510/15/4000/S	4000/5	5P10	15	80x155	150x225	50	240
	PCT/510/15/5000/S	5000/5	5P10	15	80x155	155x225	50	245
	PCT/510/15/6000/S	6000/5	5P10	15	80x155	155x225	50	245
	PCT/510/15/6300/S	6300/5	5P10	15	80x155	155x225	50	245
	PCT/510/20/800/S	800/5	5P10	20	50x85	120x150	120	170
	PCT/510/20/1000/S	1000/5	5P10	20	50x85	120x155	105	175
	PCT/510/20/1200/S	1200/5	5P10	20	50x85	120x155	105	175
	PCT/510/20/1250/S	1250/5	5P10	20	50x85	120x155	105	175
	PCT/510/20/1600/S	1600/5	5P10	20	50x85	120x155	90	175
	PCT/510/20/2000/S	2000/5	5P10	20	50x85	125x160	90	180
	PCT/510/20/2500/S	2500/5	5P10	20	80x125	150x195	90	215
	PCT/510/20/3000/S	3000/5	5P10	20	80x125	150x195	90	215
	PCT/510/20/3200/S	3200/5	5P10	20	80x125	150x195	90	215
	PCT/510/20/4000/S	4000/5	5P10	20	80x155	150x225	90	240
	PCT/510/20/5000/S	5000/5	5P10	20	80x155	155x225	90	245
	PCT/510/20/6000/S	6000/5	5P10	20	80x155	155x225	90	245
	PCT/510/20/6300/S	6300/5	5P10	20	80x155	155x225	90	245

**Dimension for reference. Other technical specifications can be made on request/ Kích thước tham khảo. Có thể sản xuất theo thông số khách hàng yêu cầu*

Drawing/ bản vẽ



Photo/ Hình ảnh	Model/ Mã	Ratio/ Tỉ số (A)	Class/ Cấp chính xác	Burden (VA)/ Dung lượng	Dimension (mm)/ Kích thước				
					A	B	C	D	H
	MSP-23	100/5	1.0	2.5	21	31	89	111	40
		150/5	1.0	2.5	21	31	89	111	40
		200/5	1.0	5	21	31	89	111	40
		250/5	1.0	5	21	31	89	111	40
		300/5	1.0	5	21	31	89	111	40
		400/5	1.0	5	21	31	89	111	40
	MSP-46	400/5	1.0	5	40	60	105	125	32
		500/5	1.0	5	40	60	105	125	32
		600/5	1.0	5	40	60	105	125	32
	MSP-58	800/5	1.0	10	51	81	114	145	32
		1000/5	1.0	15	51	81	114	145	32
		1200/5	1.0	15	51	81	114	145	32
		1600/5	1.0	15	51	81	114	145	32
		2000/5	1.0	15	51	81	114	145	32
MSP-510	2000/5	1.0	15	52	102	115	180	32	
	MSP-612	1000/5	1.0	15	62	125	125	192	32
		1200/5	1.0	15	62	125	125	192	32
		1600/5	1.0	15	62	125	125	192	32
		2000/5	1.0	15	62	125	125	192	32
		2500/5	1.0	15	62	125	125	192	32
	MSP-614	2000/5	1.0	25	62	142	125	210	32
		2500/5	1.0	25	62	142	125	210	32
		3000/5	1.0	25	62	142	125	210	32
MSP-816	3200/5	1.0	25	62	142	125	210	32	
	MSP-820	4000/5	1.0	25	82	202	184	285	52
		5000/5	1.0	25	82	202	184	285	52
		6000/5	1.0	25	82	202	184	285	52
		6300/5	1.0	25	82	202	184	285	52

Drawing/ bản vẽ

